



TEREX®

GTH-5519

Telehandler

OPERATING WEIGHT	10,000 lbs (4,536 kg)
NET ENGINE POWER	63 hp (47 kW)
MAXIMUM LIFT CAPACITY	5,500 lbs (2,500 kg)
MAXIMUM LIFT HEIGHT	18' 10" (5.74 m)



TELEHANDLER GTH-5519

Specifications

Performance	
Operating weight with forks	10,000 lbs (4,536 kg)
Inside/outside turn radius	5' 6" / 11' (1.68 / 3.35 m)
Maximum drawbar pull	10,250 lbs (4,649 kg)
Maximum lifting height	18' 10" (5.74 m)
Reach at maximum height	1' 10" (0.56 m)
Maximum forward reach	11' 3" (3.43 m)
Maximum lift capacity	5,500 lbs (2,500 kg)
Lift capacity at maximum height	4,400 lbs (1,996 kg)
Lift capacity at maximum reach	1,700 lbs (771 kg)
Obstruction angle	90°
Departure angle	70°

Engine	
Diesel direct injection, oil cooled	
4 cylinders naturally aspirated	
Net power @ 2,600 rpm (DIN 70020)	63 hp (47 kW)
Deutz BF4M2011, Tier II	
Cold start intake glow plug	

Steering	
Power assisted steering	
Three steering modes: 2-wheel, 4-wheel coordinated, and 4-wheel crab	

Telehandler GTH-5519

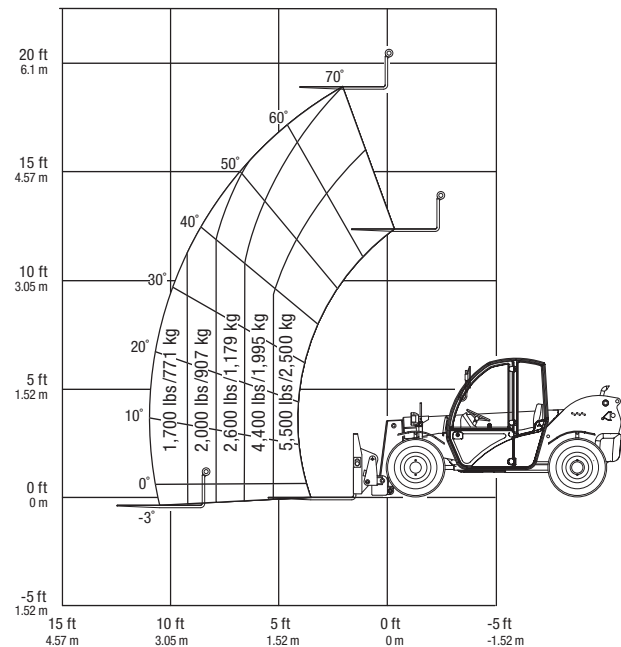
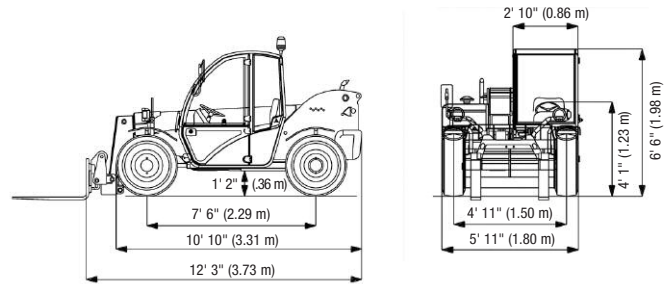
Specifications

Transmission	
Hydrostatic closed circuit, continuous speed regulation, variable displacement pump and motor	
Mechanical dropbox	
4-wheel drive	
Limited-slip front axle differential	
Maximum speed	15 mph (24.1 km/h)
Brakes	
Wet disc	
Hydraulic System	
Fixed displacement hydraulic pump for proportional functions, hydraulic steering, quick coupling and tools	
17 gpm (64 Lpm) flow rate at 3,918 psi (270 bar) system pressure	
Tank Capacities	
Fuel tank capacity	15.8 gal (59.8 L)
Hydraulic oil tank capacity	18.5 gal (70 L)
Hydraulic system capacity (w/tank)	31.7 gal (120 L)
Tires	
Type	12 in x 16.5, 10 ply
8-holes wheel disk (DIN 70361)	
Standards Compliance	
ASME B 56.6, ISO 3471, ISO 3449	
Forks and Attachment Holder Plate	
Type	FEM 2
Length	48" (1.22 m)
Fork cross-section	1.6" x 4" (40 mm x 100 mm)
Attachment holder plate with hydraulic quick attach coupling	
Operating Cab	
Structure conforms to ISO 3471 (ROPS) and ISO 3449 (FOPS)	
Optional enclosed cab, heater and A/C	

Attachments and Accessories

A wide range of accessories and attachments for civil and industrial work is available; please ask for quote.

Dimensions and Working Ranges



Terex Construction Americas (SALES)

8800 Rostin Road
Southaven, MS 38671
USA
TEL 662-393-1800 SALES 866-837-3923
FAX 662-393-1700 EMAIL sales@terexca.com
WEB terex.com

Genie Industries, Inc. (WARRANTY, PARTS, SERVICE, & SUPPORT)

A Terex Company
18340 NE 76th Street
Redmond, WA 98073
PARTS & TECH SUPPORT 877-367-5606
FAX 888-274-6192
WEB genieindustries.com

For more information, product demonstration, or details on purchase, lease and rental plans, please contact your local Terex dealer.

Effective Date: May 1, 2007. Product specifications and prices are subject to change without notice or obligation. The photographs and/or drawings in this document are for illustrative purposes only. Refer to the appropriate Operator's Manual for instructions on the proper use of this equipment. Failure to follow the appropriate Operator's Manual when using our equipment or to otherwise act irresponsibly may result in serious injury or death. The only warranty applicable to our equipment is the standard written warranty applicable to the particular product and sale and Terex makes no other warranty, express or implied. Products and services listed may be trademarks, service marks or trade-names of Terex Corporation and/or its subsidiaries in the USA and other countries and all rights are reserved. Terex® is a registered trademark of Terex Corporation in the USA and many other countries. Copyright © 2007 Terex Corporation.