



TEREX®

GTH-636

Telehandler

OPERATING WEIGHT	21,000 lbs (9,525 kg)
NET ENGINE POWER	99 hp (73.8 kW)
MAXIMUM LIFT CAPACITY	6,000 lbs (2,722 kg)
MAXIMUM LIFT HEIGHT	36' (10.97 m)



TELEHANDLER GTH-636

Specifications

Performance	
Operating weight with forks	21,000 lbs (9,525 kg)
Outside turn radius (AWS)	14' 5" (4.39 m)
Maximum drawbar pull	19,200 lbs (8,709 kg)
Maximum lifting height	36' (10.97 m)
Reach at maximum height	2' 11" (0.89 m)
Maximum forward reach	21' (6.4 m)
Maximum lift capacity	6,000 lbs (2,722 kg)
Lift capacity at maximum height	6,000 lbs (2,722 kg)
Lift capacity at maximum reach	2,000 lbs (907 kg)

Steering
Power assisted steering
Three steering modes: 2-wheel, 4-wheel coordinated, and 4-wheel crab

Engine
John Deere 4045TF270 or Perkins 1104C-44T
4 cylinders turbocharged diesel
Power @2,500 rpm 99 hp (73.8 kW)/100 hp (74.6 kW)
Tier II Compliant

Transmission	
3 speed Powershift/torque converter	
4-wheel drive	
Front axle differential lock (optional)	
Maximum speed	17 mph (27.4 km/h)

Brakes
Inboard multiple wet disc

Telehandler GTH-636

Specifications

Sway Control - Frame Leveling	
Circuit isolated cylinders, 10 degrees either side of center	
Hydraulic System	
Pressure compensated hydraulic system	
Variable-displacement axial piston pump	
10 Micron filtration	
Auxiliary hydraulic circuit	3-7 gpm (11-26 Lpm) / 2,800 psi (193 bar)
Tank Capacities	
Fuel tank capacity	30 gal (114 L)
Hydraulic oil tank capacity	34 gal (129 L)
Hydraulic system capacity (w/tank)	50 gal (189 L)
Tires	
13 x 24 in - 12 ply, calcium chloride filled rock lug tires	
13 x 24 in - 12 ply, foam-filled rock lug tires	
13 x 24 in - 12 ply, foam-filled rough terrain tires	
Forks and Attachment Holder Plate	
Length	48" (1.22 m)
Fork cross-section	2" x 4" (51 mm x 101 mm)
Attachments and Fork Options	
Cubing tines	Set of four
Pallet forks	60" & 72" (1.52 & 1.83 m)
Full taper forks	60" (1.52 m)
Lumber forks	60" (1.52 m)
Wide fork frame	60" & 72" (1.52 & 1.83 m)
Rotating fork frames	48", 60", & 72" (1.22, 1.52, & 1.83 m)
45° Swing fork frames	60" & 72" (1.52 & 1.83 m)
Rubbish bucket	1 yd ³ (0.76 m ³)
Variable reach truss boom	
Quick switch attachment	
Operating Cab	
Structure conforms to ISO 3471 (ROPS) and ISO 3449 (FOPS)	
Optional enclosed cab, heater and air conditioning	

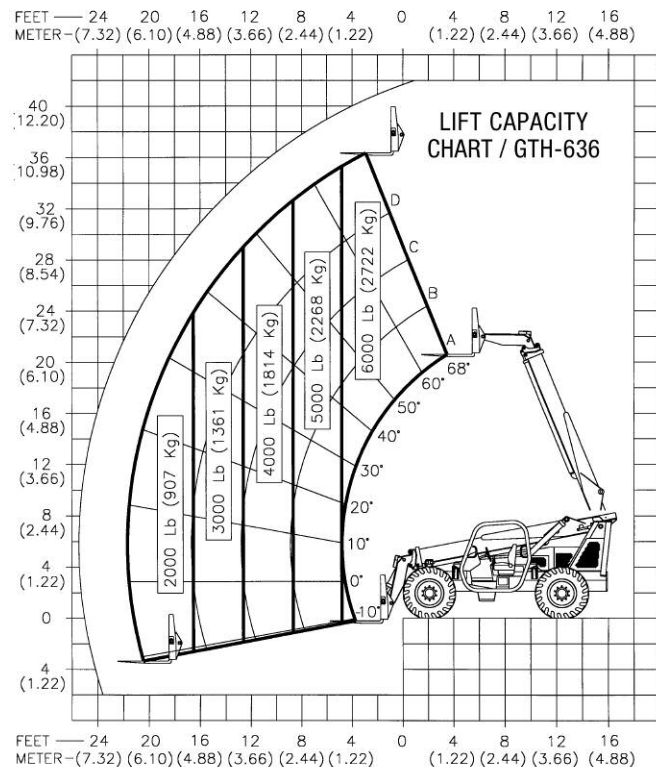
Standards Compliance

ASME B 56.6, ISO 3471, ISO 3449

Dimensions with Boom Retracted and Down

Overall L x W x H	18' 5" x 8' 6" x 8' 4" (5.61 x 2.59 x 2.54 m)
Wheelbase	10' 4" (3.15 m)
Turning radius, outside (AWS)	14' 5" (4.39 m)
Ground clearance (center)	1' 5" (0.43 m)

Working Ranges and Lift Capacities



Terex Construction Americas (SALES)

8800 Rostin Road
Southaven, MS 38671
USA
TEL 662-393-1800 SALES 866-837-3923
FAX 662-393-1700 EMAIL sales@terexca.com
WEB terex.com

Genie Industries, Inc. (WARRANTY, PARTS, SERVICE, & SUPPORT)

A Terex Company
18340 NE 76th Street
Redmond, WA 98073
PARTS & TECH SUPPORT 877-367-5606
FAX 888-274-6192
WEB genieindustries.com

For more information, product demonstration, or details on purchase, lease and rental plans, please contact your local Terex dealer.

Effective Date: May 1, 2007. Product specifications and prices are subject to change without notice or obligation. The photographs and/or drawings in this document are for illustrative purposes only. Refer to the appropriate Operator's Manual for instructions on the proper use of this equipment. Failure to follow the appropriate Operator's Manual when using our equipment or to otherwise act irresponsibly may result in serious injury or death. The only warranty applicable to our equipment is the standard written warranty applicable to the particular product and sale and Terex makes no other warranty, express or implied. Products and services listed may be trademarks, service marks or trade-names of Terex Corporation and/or its subsidiaries in the USA and other countries and all rights are reserved. Terex® is a registered trademark of Terex Corporation in the USA and many other countries. Copyright © 2007 Terex Corporation.